



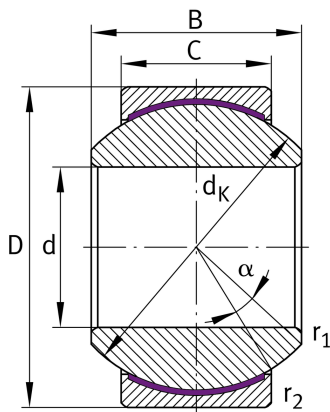
GE5-PW

Spherical plain bearing

Schaeffler ID:
0066498150000

Radial spherical plain bearing,
maintenance-free, sliding layer: PTFE
film, brass outer ring, DIN ISO 12240-1,
dimension series K, open design

Technical information



Main Dimensions & Performance Data

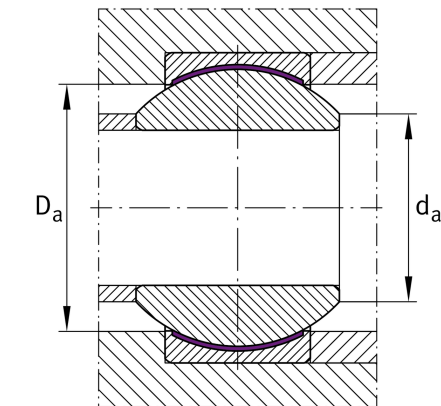
D	13 mm	Outside diameter bearing
d	5 mm	Bore diameter bearing
B	8 mm	Width Inner ring
C	6 mm	Width Outer ring
C_r	6,000 N	Basic dynamic load rating, radial
C_{0r}	15,000 N	Basic static load rating, radial
	5.2 g	Weight

Mounting dimensions

$r_{1\text{min}}$	0.3 mm	Edge Spacing
$r_{2\text{min}}$	0.3 mm	Edge Spacing
$d_{a\text{max}}$	7.7 mm	Connection measure Inner ring
$D_{a\text{min}}$	9.8 mm	Housing Connection Diameter

Dimensions

d_K	11.112 mm	Ball diameter
α	13 °	Tilt angle
G_r	0,006 - 0,035 mm	Radial Clearance
d_{OT}	0.012 mm	Bore diameter bearing, upper tolerance
d_{UT}	0 mm	Bore diameter bearing, lower tolerance
d_T	H7 mm	Bore diameter bearing, tolerance
D_{OT}	0 mm	Outside diameter, upper tolerance
D_{UT}	-0.008 mm	Outside diameter, lower tolerance
B_{OT}	0 mm	Width inner ring, upper tolerance
B_{UT}	-0.12 mm	Width inner ring, lower tolerance
C_{OT}	0 mm	Width outer ring, upper tolerance
C_{UT}	-0.24 mm	Width outer ring, lower tolerance



Temperature range

T _{min}	-50 °C	Operating temperature min.
T _{max}	200 °C	Operating temperature max.